

LED WALLPACK LIGHT

POWER / COLOUR ALL IN ONE

**NEW
TECHNOLOGY**



**Adjustable power
Adjustable color temperature**



BENEFITS

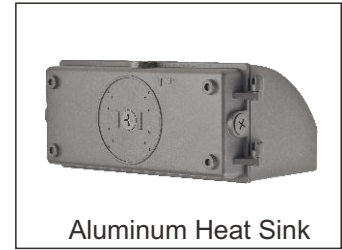
1. Replace conventional Wallpack Lights.
2. Internal with heatsink + shading roof design.
3. Streamline design with small size, save shipping cost.
4. Easy Installation.
5. IP65 waterproof class.
6. CE ROHS ISO ETL DLC listed.
7. Color temperature 3 in 1 adjustable.
3000k/4000k/5000k or 4000k/5000k/5700k Optional.



BB-RSD-30/45/60/80W-B3

FEATURES

1. Beam angle:100x100 degrees.
2. Internal with heatsink with shading roof design, diecasting house with super great heat dissipation ability.
3. Green, energy saving, long and reliable life of 50,000 hours.
4. No RF interference, No IR/UV radiation ,no mercury pollution.
5. Wide colour availability in degrees Kelvin(K),2700-6700K.
6. Environment friendly ,energy saving (70~80%).
7. Intelligent temperature control branded driver used with 5 years long time warranty, aluminum drive house with IP67 waterproof, and it can fast conduct the heat from the driver to be out.
8. Branded 3030 led used, high lumen,long lifetime,whole lamp over 130lm/w one LED broken,all other leds still working.



APPLICATION

1. Building facades lighting.
2. Parking lots lighting.
3. Garages lighting.
4. Sidewalks lighting.
5. Loading areas lighting.
6. Other outdoor places lighting.



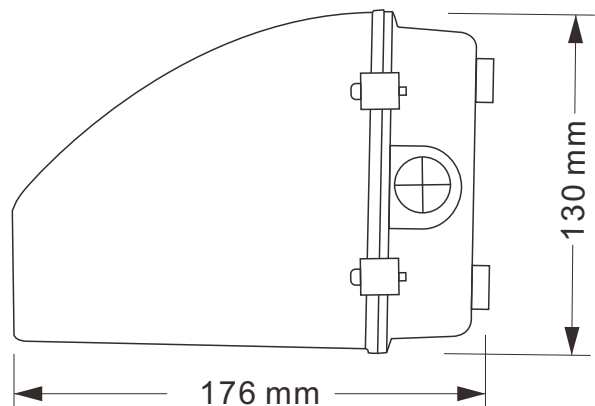
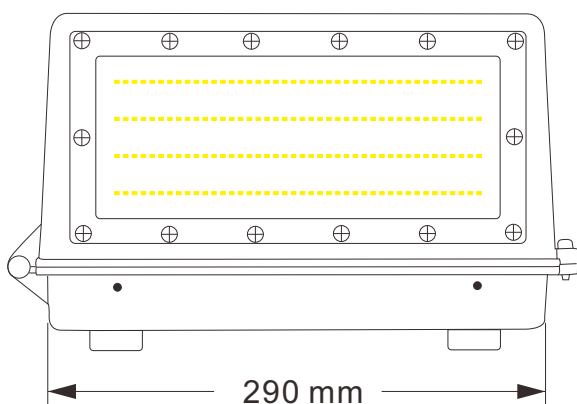
SPECIFICATIONS

Area Series	Watts	Version	CCT	Voltage	Cover	Control	Color
BB-RSD	30/45/60/80W All in one	B3	Three In One Blank- 3000K 4000K 5000K Optional- 4000K 5000K 5700K	Blank- 100-277VAC HV-200-480VAC	P2-Flat PC cover	Blank - No MS - Motion Sensor	BR - bronze

Notes: Special Order-Ask Customer Service

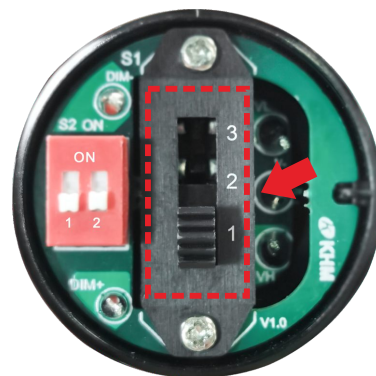
Power	30W/45W/60W/80W			
Model	BB-RSD-30/45/60/80W-B3			
Luminous Flux	30W=3900lm	45W=5850lm	60W=7800lm	80W=9200lm
Replacement	30W=HPS 100W	45W=HPS 150W	60W=HPS 200W	80W=HPS 250W
Cover	Special: Flat PC cover			
Light Source	SMD LED			
Luminous Efficacy	130lm/w			
Operation Temp.	-40 to +45°C			
CCT	3 in 1 adjustable. 3000k/4000k/5000k or 4000k/5000k/5700k Optional.			
CRI	> 80			
Life Span	50,000 hours at 25°C			
Voltage	100-277VAC/50-60Hz 200-480VAC/50-60Hz available			
Driver	UL listed power supply			
Beam Angle	120°			
PF	> 0.95			
IP	65			
Warranty	5Years			

DIMENSIONAL DRAWING



Adjustable color temperature controller instructions (manual operation)

- Pull out the controller cover firmly upwards.
- Adjust the color temperature in zone red. The factory default power is 80W and the color temperature is 5000K.



Instructions for adjusting the color temperature (zone red):

3 gears adjustment: 3=3000K, 2=4000K, 1=5000K.

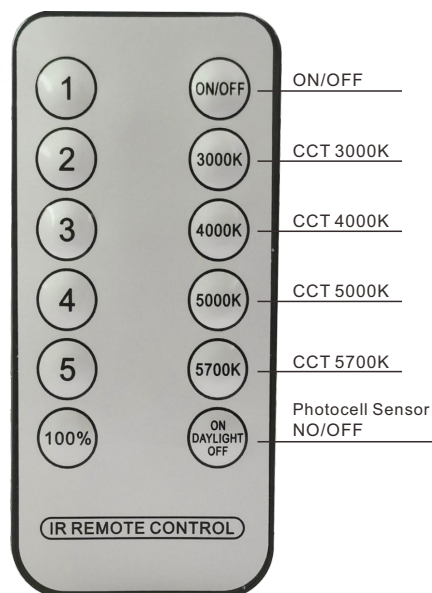
The factory default is 5000K . When adjusting the color temperature, just pull the button to the corresponding position.

Adjustable color temperature controller instructions(remote contro)

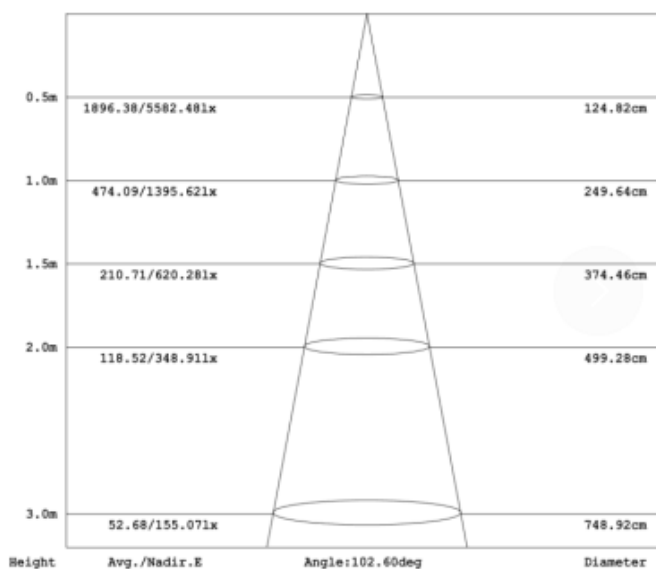
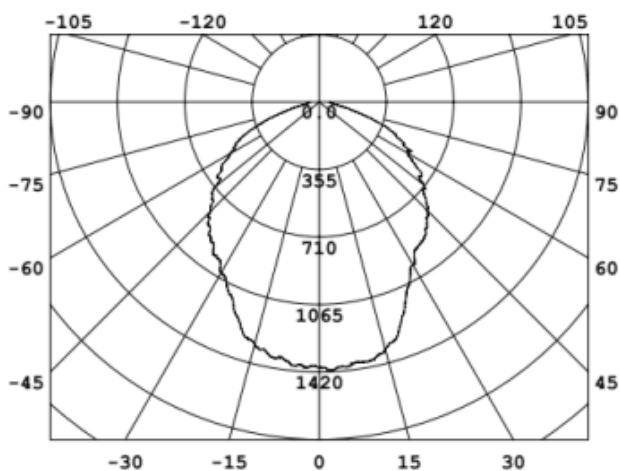
30W/45W/60W/80W			
30W: Pull A1 to OFF Pull A2 to OFF. picture2.	45W: Pull A1 to ON. Pull A2 to OFF. picture4.	60W: Pull A1 to OFF. Pull A2 to ON. picture3.	80W: Pull A1 to ON. Pull A2 to ON..

How to use the remote control:

Turning off the light will force the photocell sensor to turn on, and turning on the light will force the photocell sensor to turn off. When the power is on for the first time the light flashes once to indicate that the photocell sensor is off, and when the light is normally on, the photocell sensor is on.



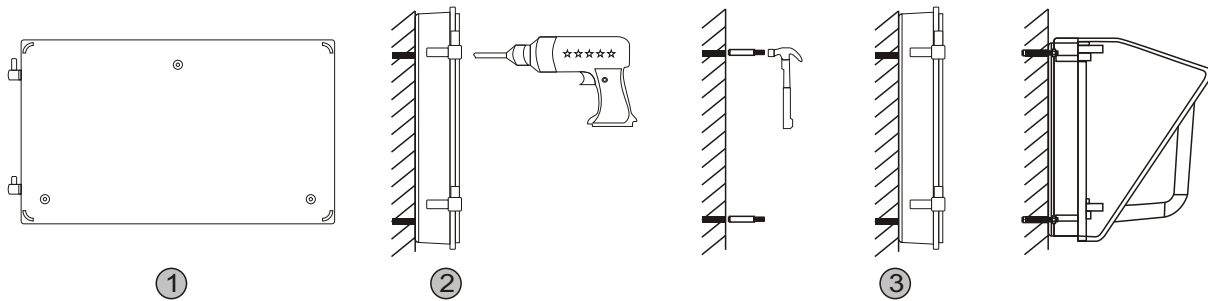
LUMINOUS INTENSITY DISTRIBUTION



INSTALLATION

* Install height from floor higher than 1.2m.

Installation1

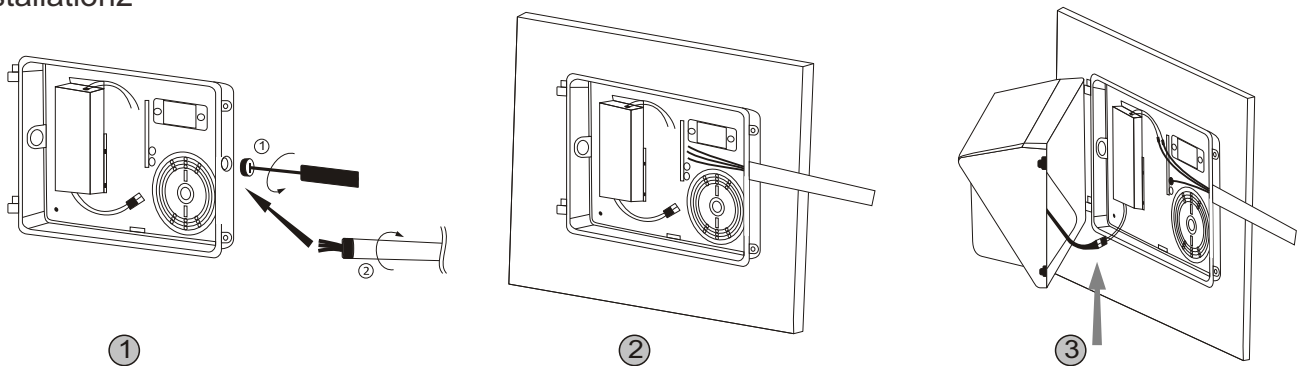


Step1. Take apart the PC cover and fixture housing.

Step2. Put the fixture on the wall, drill 3 holes to get through the.

Step3. Get expansion screws into the holes, match the fixture to the bolts, then fix the fixture on the wall by screws lastly get the PC cover and fixture housing back together.

Installation2



Step1. Loosen screws and remove the front lens set carefully from the back plate.

Step2. Remove 1/2" plug from where you intend to feed conduit.

Step3. Drilling out the holes (C) to secure it on the wall with choosing proper screws.

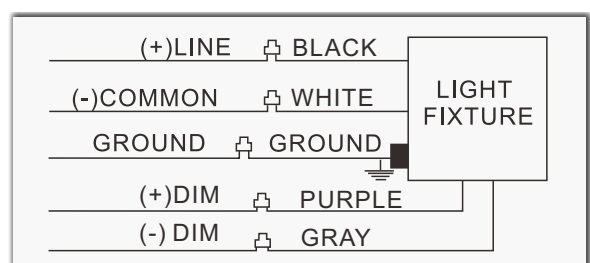
Step4. Finish wiring (Black for line, White for neutral and Green/Yellow Green for ground).

Step5. Replace the lens set on the hinge and finish connection, Close the lens set and tighten the screws to fasten the lens set to the back plate.

Wiring

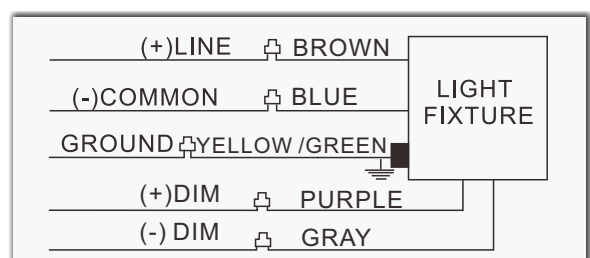
(US)

- Connect the black fixture lead to the (+) LINE supply lead.
- Connect the white fixture lead to the (-) COMMON supply lead
- Connect the green Ground wire from fixture to supply ground.
- Connect the purple fixture lead to the (+) dimmer.
- Connect the gray fixture lead to the (-) dimmer.



(EU)

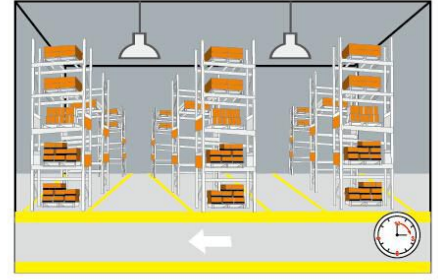
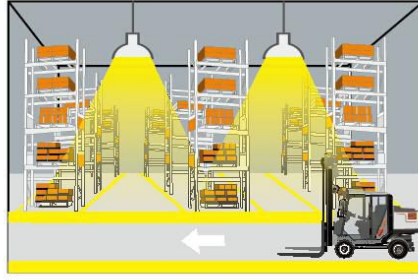
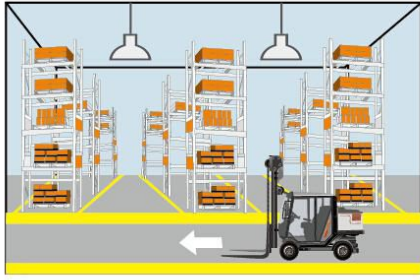
- Connect the brown fixture lead to the (+) LINE supply lead.
- Connect the blue fixture lead to the (-) COMMON supply lead
- Connect the yellow /green Ground wire from fixture to supply ground.
- Connect the purple fixture lead to the (+) dimmer.
- Connect the gray fixture lead to the (-) dimmer.



MOTION SENSOR FUNCTION(OPTIONAL)



1) On/OFF Function (stand-by period be set to 0's)

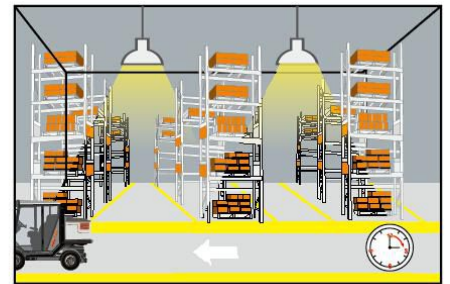
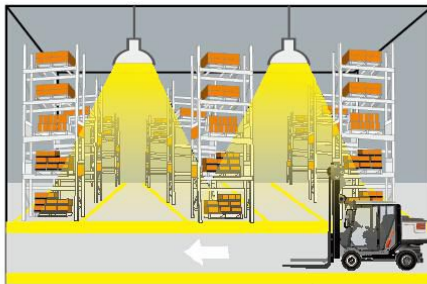
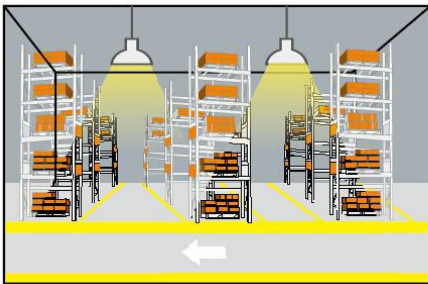


1 With sufficient ambient light, the light will not be switched on even if with motion signal.

2 With insufficient ambient light, the sensor switches on the light when motion is detected.

3 After elapse of hold time, the sensor switches off the light when no motion is detected.

2) 2-step dimming function (stand-by period be set to $\neq \infty$)

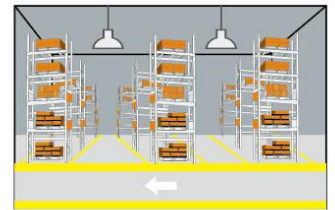
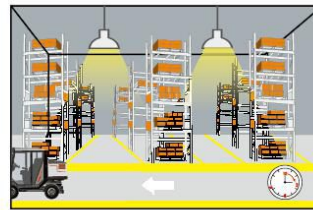
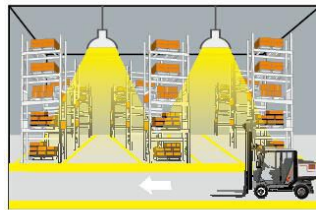
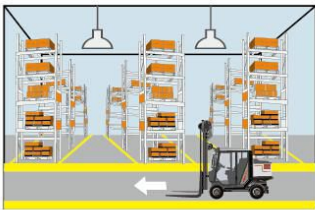


1 If there is no motion detected, the light will be remained at a low light level all the time.

2 When motion is detected, the sensor will switch on the light to 100% brightness

3 After elapse of hold time, the sensor dims the light at the present low light level if no motion is detected.

3) 3-step dimming function (stand-by period be set to 10S/1min/3min/5min/10min/30min)



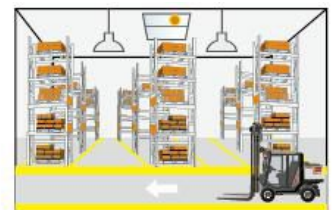
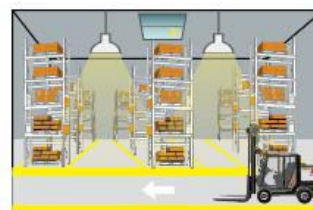
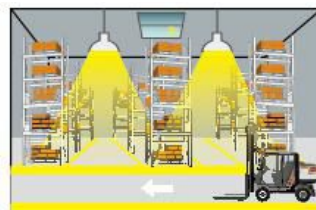
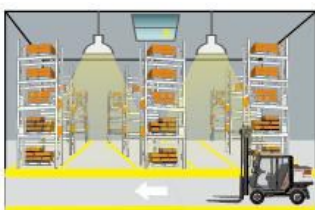
1 With sufficient ambient light, the light will not be switched on even if with motion signal.

2 With insufficient ambient light, the sensor switches on the light when motion is detected.

3 After elapse of hold time, the sensor dims the light at a low light level if no new motion is detected.

4 After elapse of standby period, the sensor switches off the light if no motion is detected in the detection zone.

4) Daylight priority (stand-by period set to $+\infty$)



1 Lamp turns on at low light level 10% in the night.

2 Motion detected, lamp automatically lights up to 100%.

3 After hold time, the lamp gradually dims to a low light level 10% if no movement detected.

4 Lamp turns off after dawn.

PROJECTS

By using our **80W** led wallpack light replace **250W** MH/HPS/HID/LPS ect traditional lamp fixture for wallpack light , customer is now able to save a lot per month from his electric bill.



Replace



80WLED= 250W HPS

Note:

- Don't take the LED lamp apart.
- The LED lamp must work under the right voltage according to the specification.

PACKING INFO



Item	Packaging unit	Carton Size(mm) (L*W*H)	N.W	G.W	Volume weight
All in one	1pc/CTN	320*160*206mm	3.5kg	4.0kg	4.0kg