

LED HIGH BAY

MHB15

The MHB15 is a circular high bay light fixture designed for a variety of mounting heights and customer applications. The compact design enables faster installation of MHB15 High Bay lighting. There are two sizes and three mounting options: ring mounting, conduit pendant mounting and surface mounting. It is the ideal solution for manufacturing, retail, warehouse and gymnasium applications.



150W



200W/230W



SPECIFICATION FEATURES

Construction

- Casting thermally conducts LED heat to optimize performance and long life.
- With corrosion-resistant powder coating that provides protection and architectural appearance while adapting well to the environment.

Optics

- Scalable Lumen Packages from 15,300 to 25,000 Lumens.
- Different environments can adjust different lumen output to obtain visual comfort.
- Anti-UV prismatic translucent lens is designed to shape the light uniformity and controls the glare light.

LED Module

- The light engines is available in standard 3000K, 4000K, 5000K configurations.
- CRI \geq 80

Electrical

- Universal 120V or 230V/240 VAC input voltage.
- Both drivers have a power factor $>90\%$, THD $<20\%$
- Operating Temperature Range: -40°C to 40°C (-40°F - $+104^{\circ}\text{F}$).

Installation

- Hanging ring mount (default).
- Conduit Pendant Mount (option).
- U-Bracket Mount (option).

Certification

- UL CUL wet location listed.

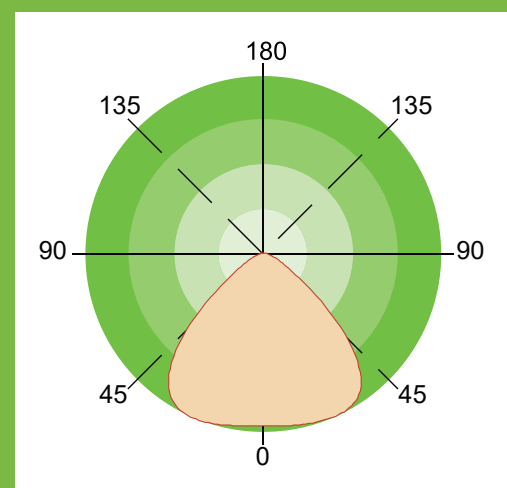
Lifespan

- Estimated 50,000-hour LED lifespan based on IES LM-80 results and TM-21 calculations.

Warranty

- Three-year Limited warranty.

PHOTOMETRICS



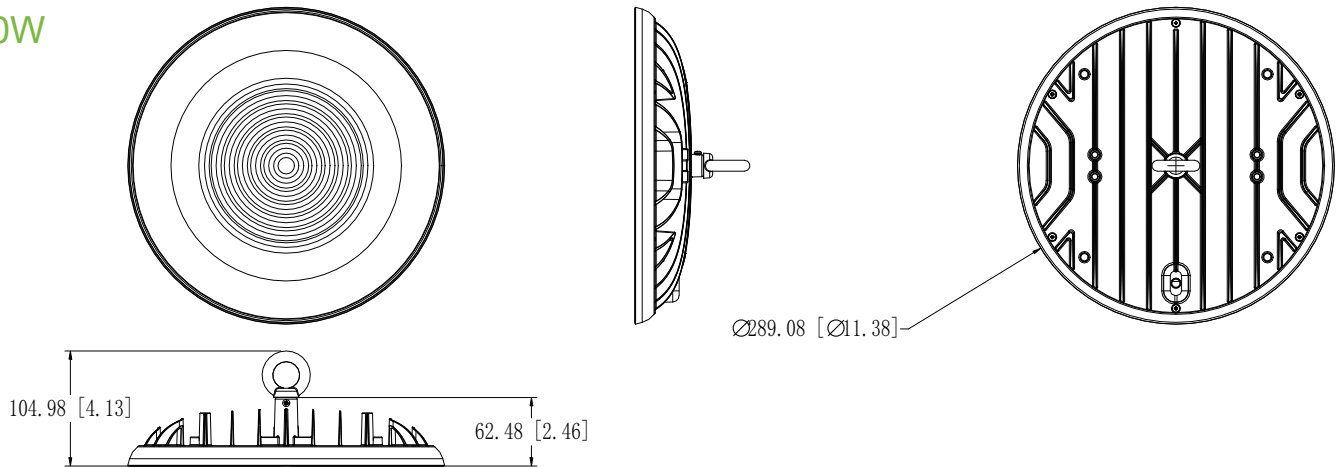
PERFORMANCE DATA

SYSTEMWATTS	PHOTOMETRY	3000K(80CRI)		4000K(80CRI)		5000K(80CRI)	
		LUMENS	LPW	LUMENS	LPW	LUMENS	LPW
150W	High Bay	15300 lm	102lm/W	16000lm	108lm/W	16000lm	108lm/W
200W	High Bay	20000 lm	100lm/W	22000lm	110lm/W	22000lm	110lm/W
230W	High Bay	23000 lm	100lm/W	25000lm	108lm/W	25000lm	108lm/W

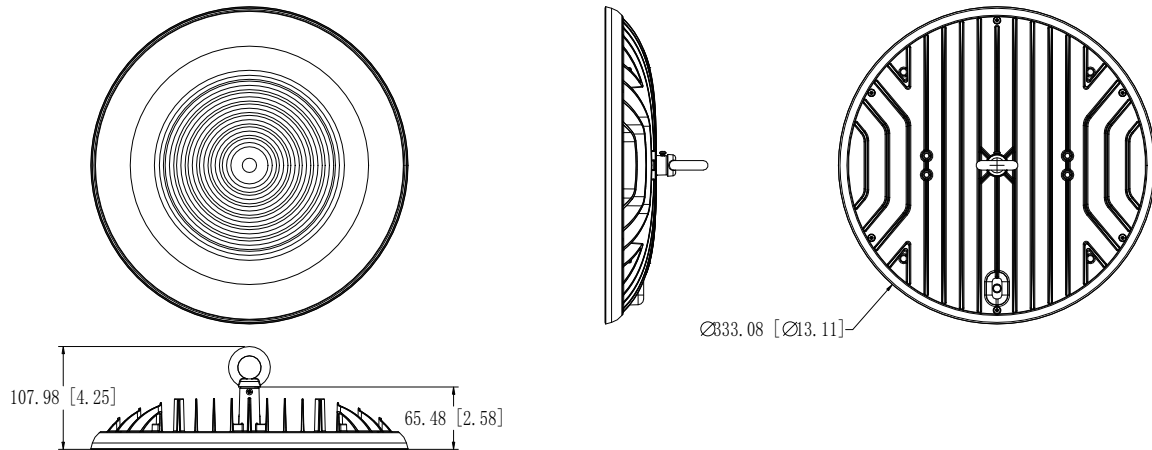
DIMENSION

unit: mm/inch

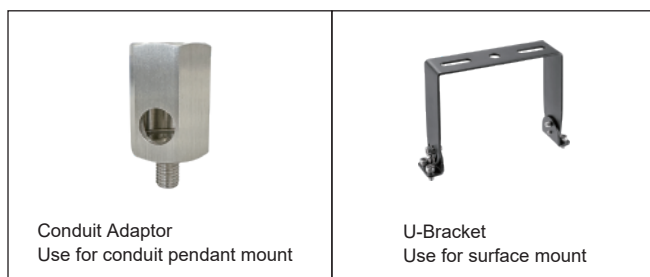
150W



200W/230W



ACCESSORIES (Optional)



MOUNTING



Hanging ring mount
(default)

U-Bracket mount
(option)

3/4 Conduit Pendant Mount
(option)

ORDERING GUIDE

Example: MHB15 150W 12V 30K B ML Y Y

Fixture Type	Wattage	Voltage	CCT	Finish	Lens	Mounting (Option)	Internal Code
<input type="text"/>	<input type="text"/>	<input type="text"/>	<input type="text"/>	<input type="text"/>	<input type="text"/>	<input type="text"/>	<input type="text"/>
MHB15 High Bay Series	150W 150Watts 200W 200Watts 230W 230Watts	12V 120V	30K 3000K 40K 4000K 50K 5000K	B Black W White D Dark Bronze	ML Medium lens	Blank Hanging ring mount TR Trunnion Mount PD Conduit Pendant Mount	Blank Alphanumeric